

TELESCOPING GRAVITY LOADER



The Telescoping Gravity Loader is designed to assist in the loading of cargo in 48' and 53' trailers without built-in roller conveyors. It is mounted on a base that allows the unit to span the gap at the dock door to allow the gravity conveyor to be rolled manually into the trailer. The unit telescopes manually to allow for loading and collapses manually as the trailer gets loaded. Under normal use, the Telescoping Gravity Loader is hooked to a chute connecting it to the system.

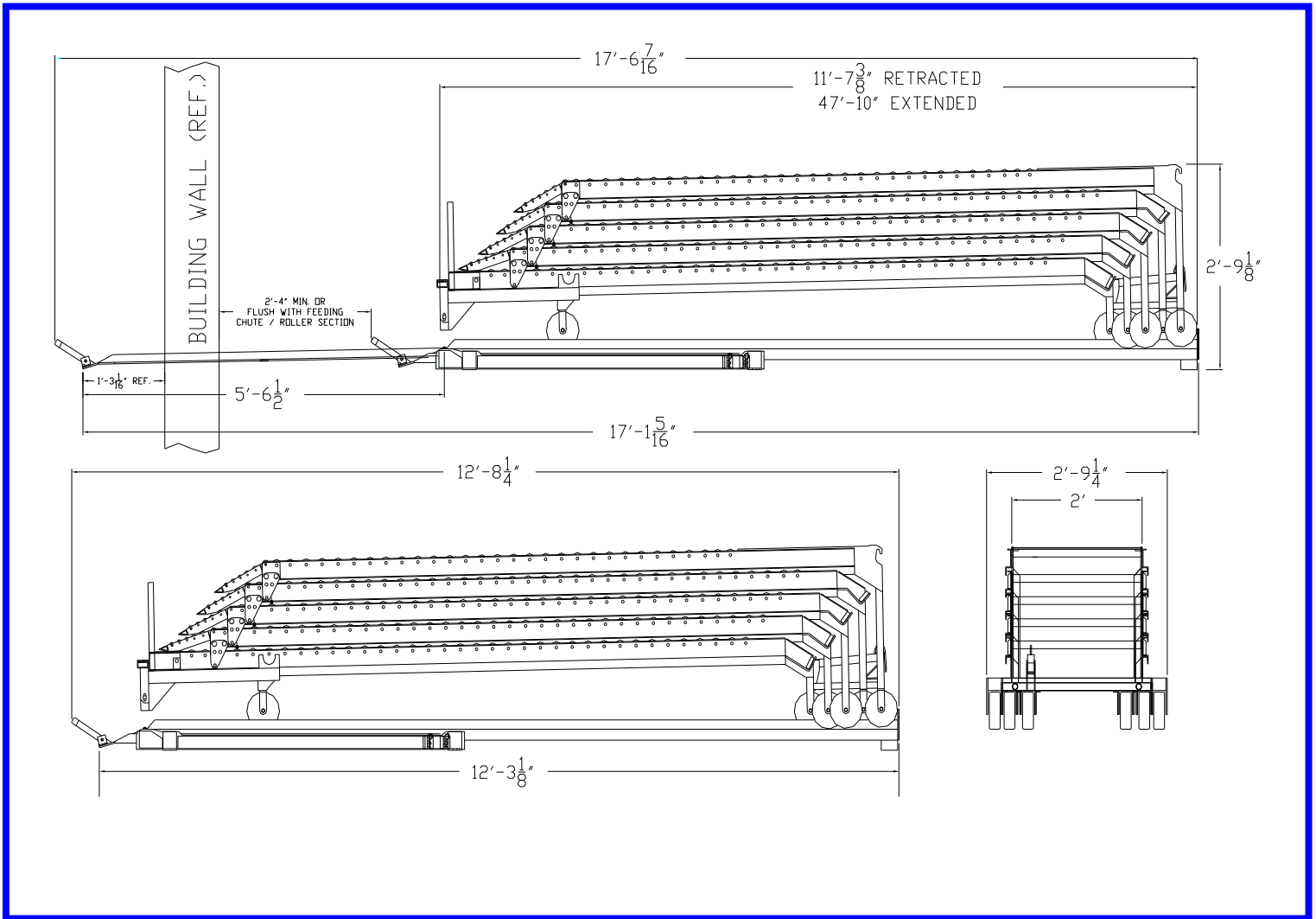
The pictures above show a gravity conveyor under a load chute without a base. The unit can be made longer or shorter upon request.

“FIRST CLASS DOESN'T HAVE TO COST MORE”



WASP, Inc.
Box 249 ■ Glenwood, MN 56334
(320) 634-5126 FAX (320) 634-5891
www.waspinc.com

TELESCOPING GRAVITY LOADER



SPECIFICATIONS:

FRAME: Five Section Aluminum Side Rails with Steel Legs for the Wheels.

ROLLERS: PVC Rollers with Steel Rollers in High Impact Areas;
24.00 Inches Wide, 3.00 Inches on Center, 1.90 Inch Diameter.

CAPACITY: 50 Pounds per Linear Foot.

DIMENSIONS:	<u>RETRACTED</u>	<u>EXTENDED</u>	<u>OVERALL HEIGHT</u>
	11' 7-3/8"	47' 10"	2' 9-1/8"



WASP, Inc.
Box 249 ■ Glenwood, MN 56334
(320) 634-5126 FAX (320) 634-5891
www.waspinc.com