

LOAD/UNLOAD AID



The Load/Unload Aid is designed to assist the loading and unloading of cargo and baggage containers and delivery trucks at a conveyor belt. The Load/Unload Aid is mounted on rails adjacent to the conveyor to allow the unit to service several different positions. The Load/Unload Aid telescopes out providing a roller conveyor surface to speed up the loading or unloading of containers.

FEATURES:

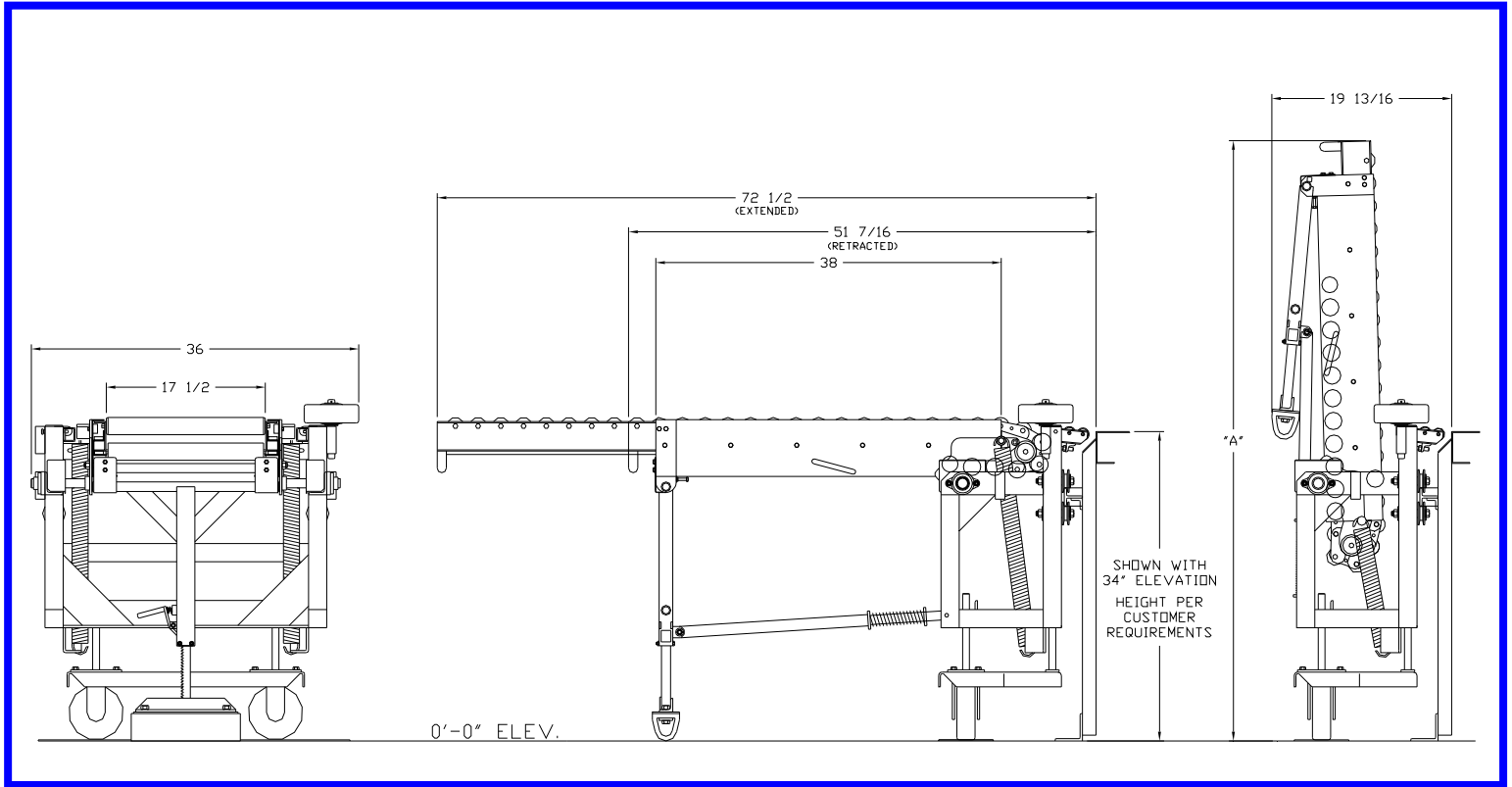
- Movable on track to accommodate several positions
- Heavy duty construction to provide long life
- Unit is counter-balanced with springs for ease of operation
- Steel rollers in high impact area
- Support legs are adjustable to load, unload or flat position
- Unit stores in upright position to allow personnel passage
- Custom designs available

“FIRST CLASS DOESN'T HAVE TO COST MORE”



WASP, Inc.
Box 249 ■ Glenwood, MN 56334
(320) 634-5126 FAX (320) 634-5891
www.waspinc.com

LOAD/UNLOAD AID



Extended Position

Stored Position

SPECIFICATIONS:

FRAME: All Steel Construction

ROLLERS: 1.90" Dia. PVC Rollers with 1.90" Dia. Steel Rollers in High Impact Areas.

ROLLER LENGTH: 17.50" and 18.00".

ROLLER SPACING: 2.50"

SIZES AVAILABLE:

RETRACTED

EXTENDED

"A" DIMENSION

74"	120"	88.0"
68"	108"	82.0"
58"	86"	73.5"
51"	72"	66.0"
42"	63"	56.0"
36"	48"	50.0"



WASP, Inc.

Box 249 ■ Glenwood, MN 56334

(320) 634-5126 FAX (320) 634-5891

www.waspinc.com