

# LOAD/UNLOAD AID

---



---

The Load/Unload Aid is designed to assist the loading and unloading of cargo and baggage containers and delivery trucks at a conveyor belt. The Load/Unload Aid is mounted on rails adjacent to the conveyor to allow the unit to service several different positions. The Load/Unload Aid telescopes out providing a roller conveyor surface to speed up the loading or unloading of containers.

## FEATURES:

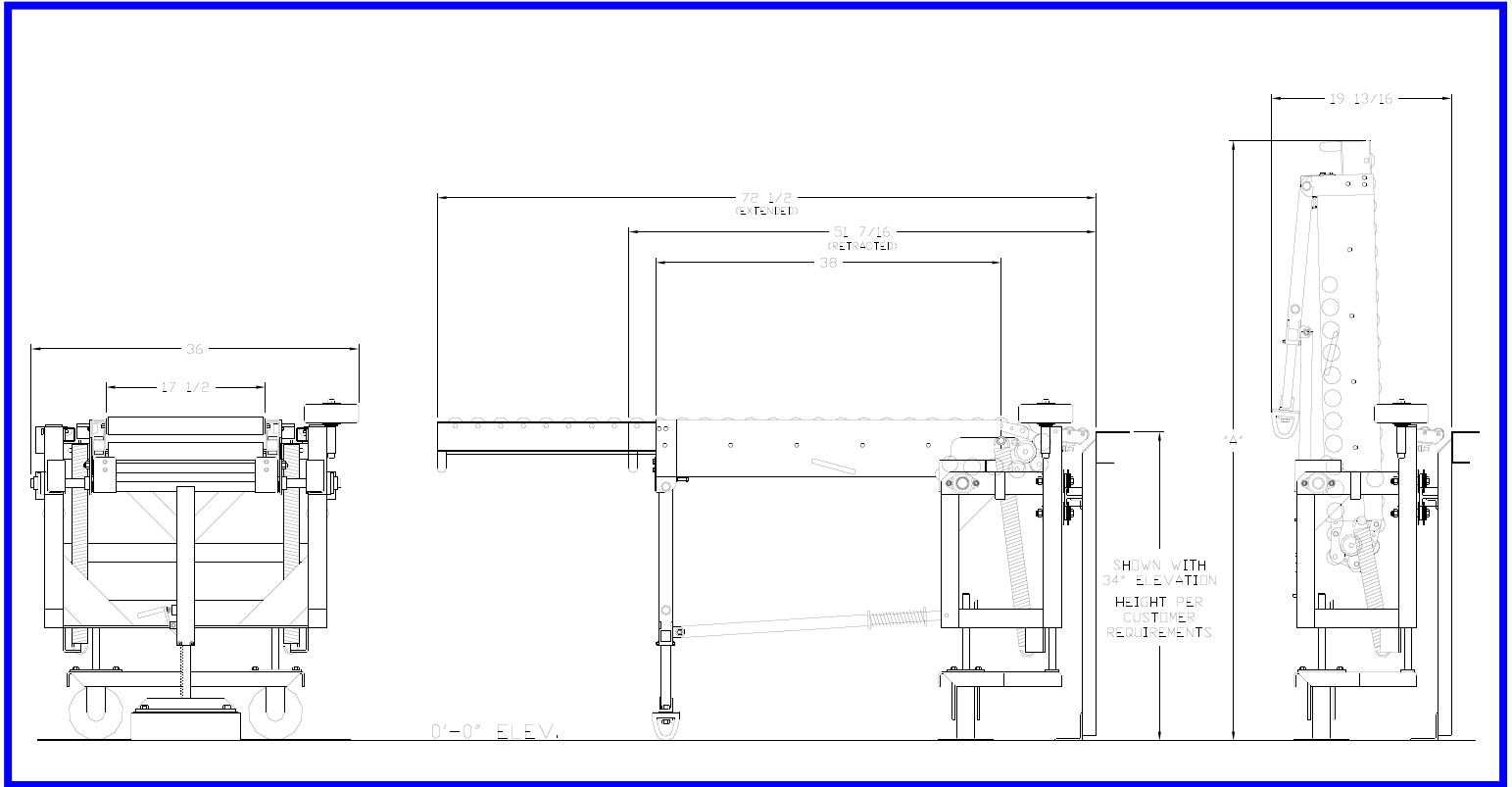
- Movable on track to accommodate several positions
- Heavy duty construction to provide long life
- Unit is counter-balanced with springs for ease of operation
- Steel rollers in high impact area
- Support legs are adjustable to load, unload or flat position
- Unit stores in upright position to allow personnel passage
- Custom designs available

***“FIRST CLASS DOESN'T HAVE TO COST MORE”***



WASP, Inc.  
Box 249 ■ Glenwood, MN 56334  
(320) 634-5126 FAX (320) 634-5891  
[www.waspinc.com](http://www.waspinc.com)

# LOAD/UNLOAD AID



Extended Position

Stored Position

## SPECIFICATIONS:

**FRAME:** All Steel Construction

**ROLLERS:** 1.90" Dia. PVC Rollers with 1.90" Dia. Steel Rollers in High Impact Areas.

**ROLLER LENGTH:** 17.50" and 18.00".

**ROLLER SPACING:** 2.50"

**SIZES AVAILABLE:**

RETRACTED

EXTENDED

"A" DIMENSION

68"  
58"  
51"  
42"

108"  
86"  
72"  
63"

82.0"  
73.5"  
66.0"  
56.0"



WASP, Inc.

Box 249 ■ Glenwood, MN 56334

(320) 634-5126 FAX (320) 634-5891

[www.waspinc.com](http://www.waspinc.com)