

Gravity Door Chute

**Control package flow and
connect systems.**

*Designed to span the dock for loading
operations, as transition onto a conveyor.
Manual extension and retraction to hold
chute at preferred length. End tip gate
allows for easy adjustment between
pre-charging and standard package flow.*



AIRCRAFT LOAD/UNLOAD
FREIGHT TRANSFER
CONVEYING OPERATIONS
ULD/PALLET MANEUVERABILITY

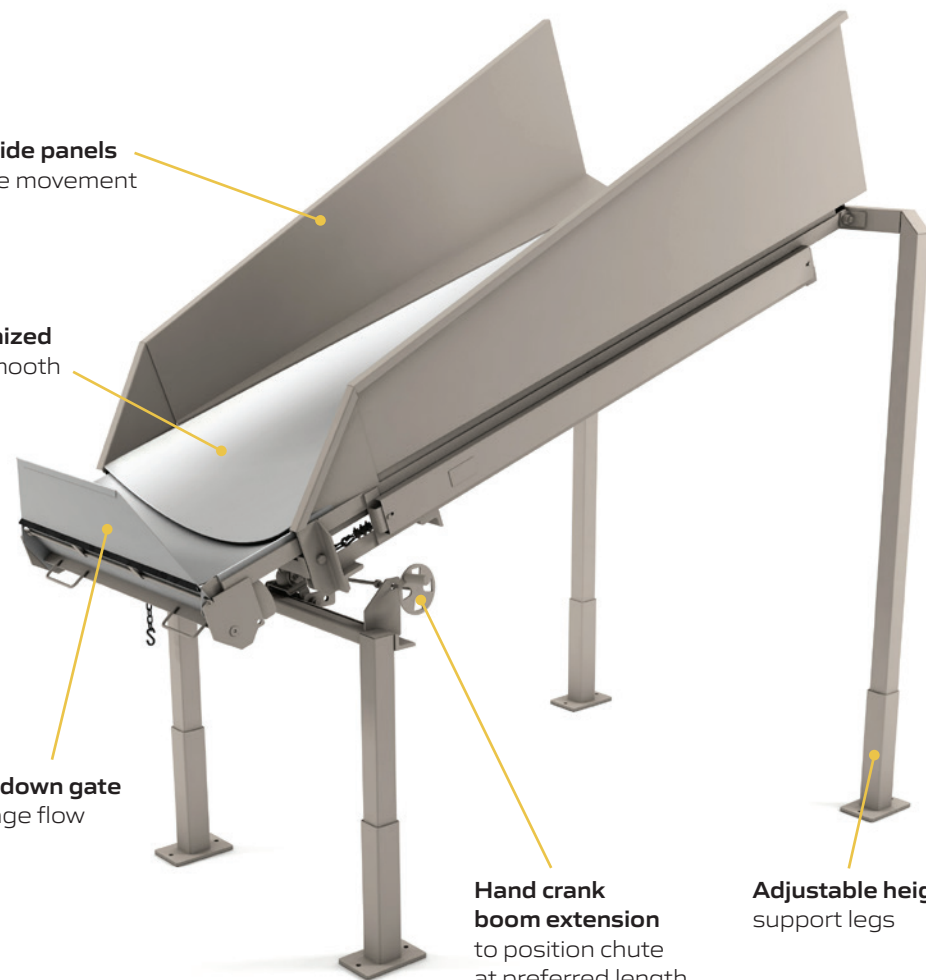
12-to-24 inch side panels
contain package movement

**Concave galvanized
steel bed** for smooth
package flow

Manual end tip down gate
manages package flow

**Hand crank
boom extension**
to position chute
at preferred length

**Adjustable height
support legs**

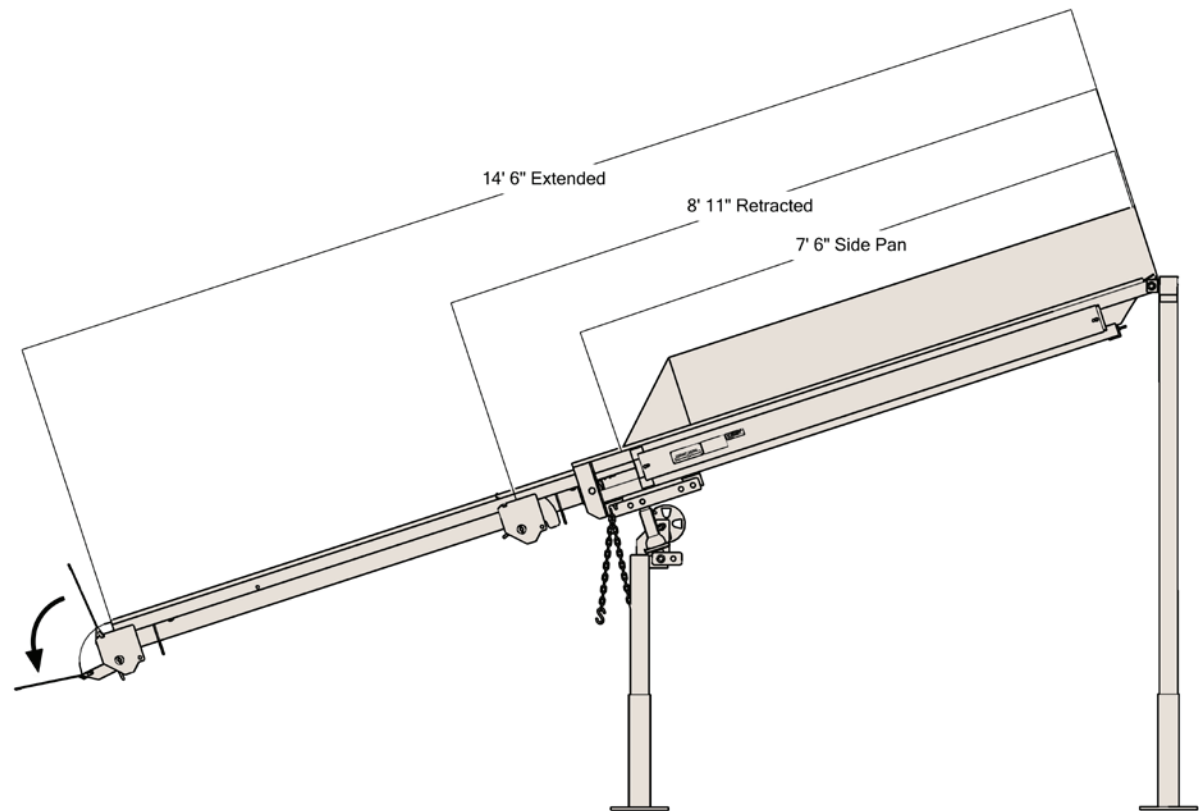


Options

- **Customized length** to fit application
- **12" to 24" side panels** available to help contain package movement

SPECIFICATIONS

Retractable Length	8.9 ft.
Extendable Length	14.6 ft.
Operation	Hand Crank Boom Extension
Construction	Concave Galvanized Steel Bed
Height Adjustment	Manual Jack



AIRCRAFT LOAD/UNLOAD
FREIGHT TRANSFER
CONVEYING OPERATIONS
ULD/PALLET MANEUVERABILITY

A world leader in airline, air cargo and material handling equipment for over 40 years, FAST Global Solutions designs, builds, installs and services an expansive portfolio of robust, ruggedly-built, dependable equipment for today's global commerce operations.

To learn more, contact the knowledgeable and experienced FAST Team:

info@fastsolutions.com +1 (320) 634-5886 fastsolutions.com