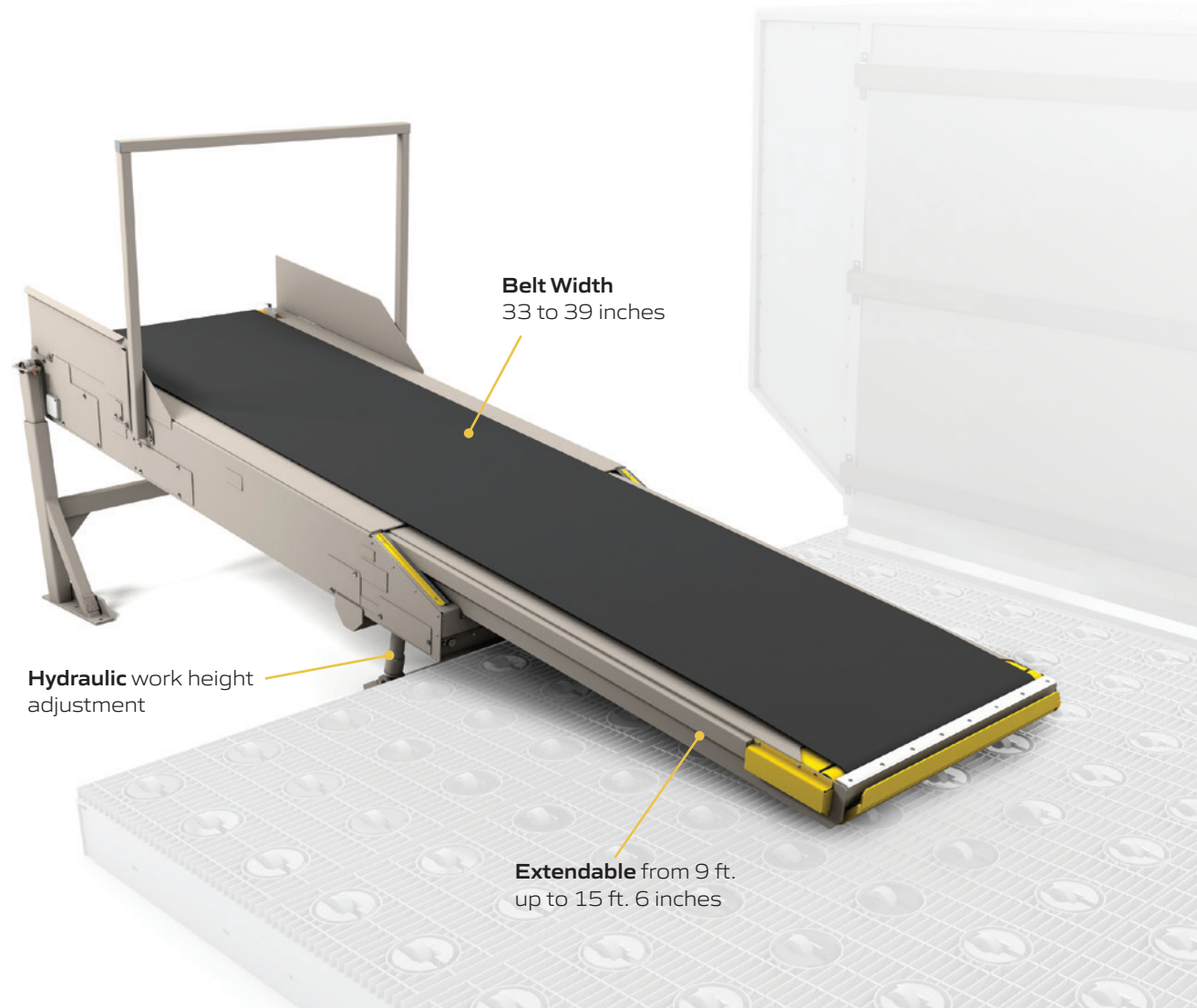


# Single-Stage Extendable Conveyor for Loading/ Unloading ULDs

**Maximize package transfer rates for ULDs.**

Single-stage belt-drive conveyor provides automatic movement of packages for more efficient loading or unloading of cargo containers and ULDs. Manual extension/retraction allows boom to stop in position at any length, up to a max of 6 ft. 6 inches to reach inside container for ease of operation. Hydraulic work height adjustment raises or lowers boom extension to align with package elevation changes for increased performance and operator safety.



## SPECIFICATIONS

Retractable Length: 9 ft.

Extendable Length: 15 ft. 6 inches

Belt Width: 33 to 39 inches

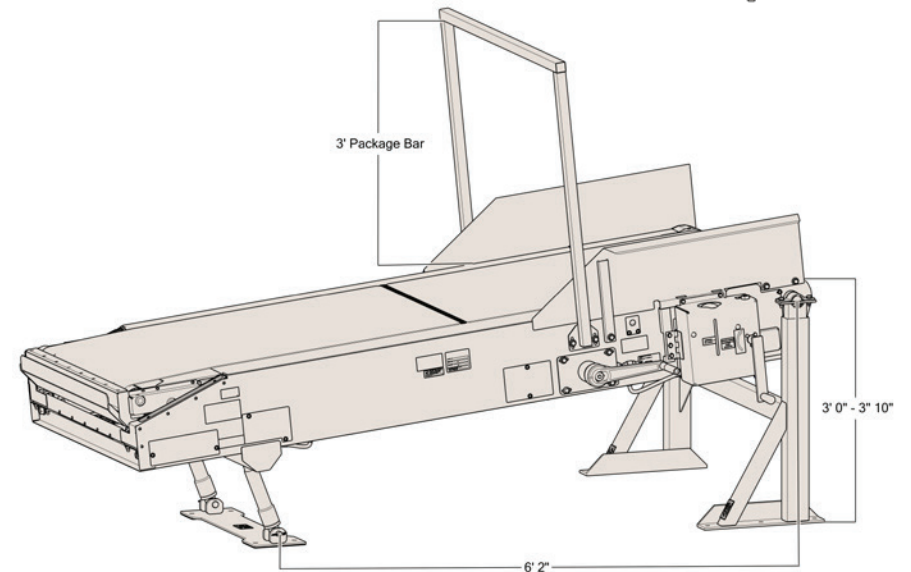
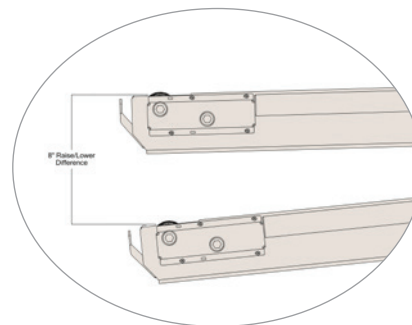
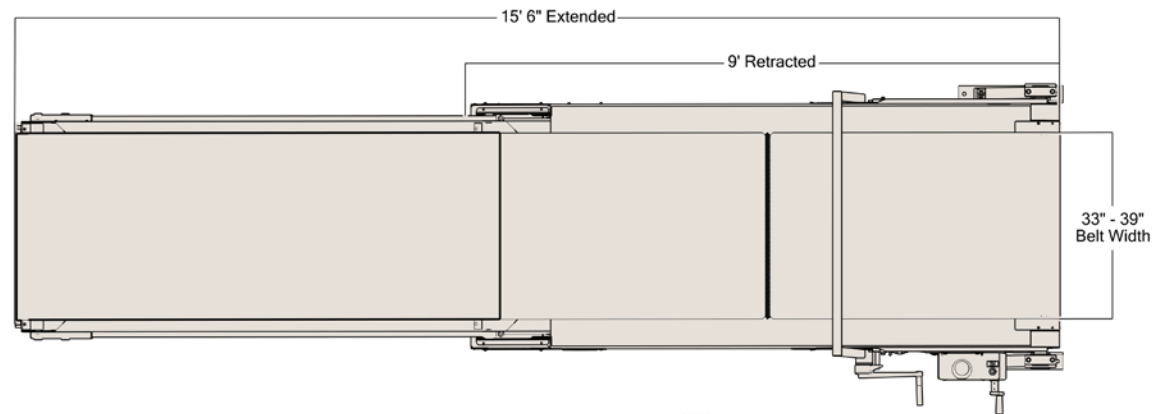
Belt Direction: Load, Unload or Bi-Directional

Belt Speed: 60 fpm

Operation: Hand Crank Boom Extension

Boom End Elevation: 20 to 28 inches

Load Capacity: 50 lbs./ft.



AIRCRAFT LOAD/UNLOAD  
FREIGHT TRANSFER  
CONVEYING OPERATIONS  
ULD/PALLET MANEUVERABILITY

*A world leader in airline, air cargo and material handling equipment for over 40 years, FAST Global Solutions designs, builds, installs and services an expansive portfolio of robust, ruggedly-built, dependable equipment for today's global commerce operations.*

*To learn more, contact the knowledgeable and experienced FAST Team:*

**info@fastsolutions.com +1 (320) 634-5886 fastsolutions.com**